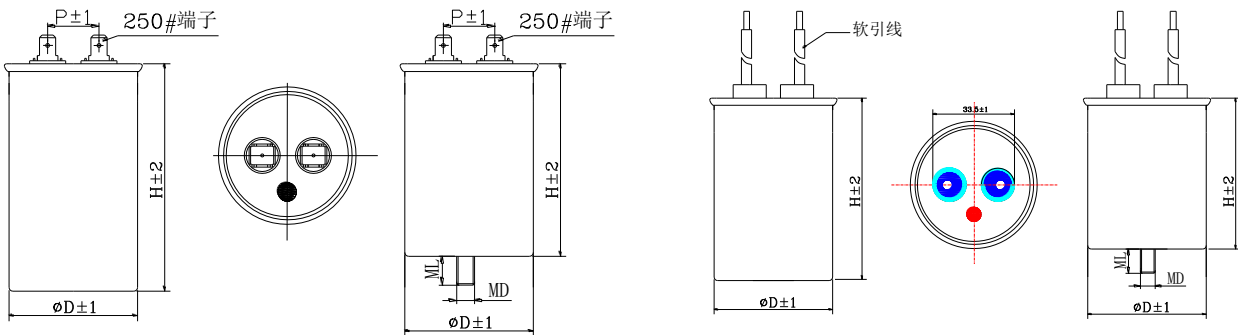


# CBB65 Metallized Film Capacitor

**CBB65 金屬化聚丙烯膜交流電動機電容器 (圓形或橢圓形鋁外殼、防爆)**  
**Metallized polypropylene film AC motor capacitor (round or ellipse aluminum case , anti-explosion)**



產品特點：具有自愈性、高穩定性、高可靠性、防爆設計，更安全，適用於頻率為 50Hz/60Hz 交流電源供電的單相電動機啟動和運行。

The feature : Self-healing property, Excellent stable performance and reliability, Anti-explosion design, more safety. The capacitor is Widely applied to starting and running of AC single-phase motors of 50Hz/60Hz frequency power.

產品認證(Safety Certification) :



技術特性(Technical Specification) :

引用標準 Reference Standard	EN/IEC60250-1; GB/T3667.1; UL810;	
氣候類別 Climatic Category	40/70/21	
運行等級 Class of operation	C 級 (3000 小時) Class C(3000h)	
安全防護等級 Class of safety protection	P2	
額定電壓 Rated Voltage	250Vac.;300Vac.;350Vac ;400Vac.;450Vac.;500Vac. 50/60Hz	
電容量範圍 Capacitance Range	10 $\mu$ F~70 $\mu$ F	
電容量偏差 Capacitance Tolerance	J:±5%; K:±10%	
耐電壓 Voltage test	引線之間 Between Terminals	UL :1.5 U <sub>N</sub> 10S; VDE /CQC:2.0 U <sub>N</sub> 2S
	極殼之間 Between Terminals & Case	2000 Va.c. 2S
絕緣電阻 Insulation Resistance	引線之間 Between Terminals	≥3000 M $\Omega$ · $\mu$ F (100Vdc.,60s)
	極殼之間 Between Terminals And Case	≥1000 M $\Omega$ (100Vdc.,60s)
損耗角正切 Dissipation Factor	tan $\delta$ ≤ 0.002 (100Hz)	

Victor (HK) Development Co. 匯達(香港)發展公司  
 Rm.1702 King Centre, 23 Dundas Street, Mongkok, Hong Kong  
 香港 旺角 登打士街 23 號 嘉興商業中心 1702 室  
 Tel: 852 2626-9193 Fax:852 2626-9229  
 Email: sales@hk-victor.com Website: www.hk-victor.com