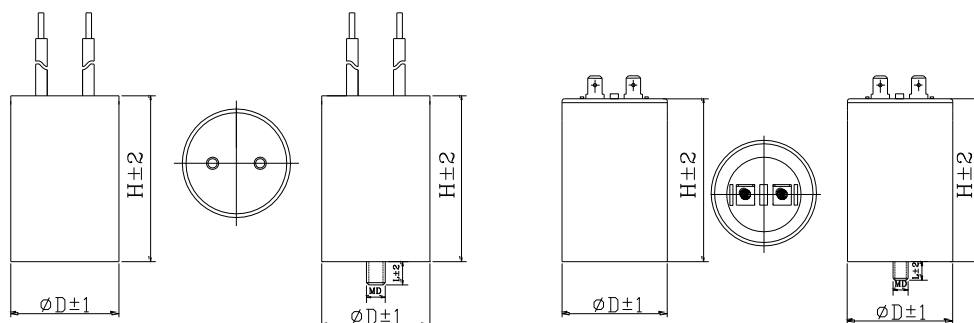


CBB60 Metallized Film Capacitor

CBB60 金屬化薄膜電容器



產品認證(Safety Certification) :



產品特點：體積小、容量大、損耗低、具良好自愈性，適用於 **50/60HZ** 交流電源供電的單相電動機起動及運行。

The feature : small in dimension, high capacitance, low dissipation factor and good self-healing character. The capacitor is Widely applied to starting and running of AC single-phase motors of 50Hz/60Hz frequency power.

技術特性(Technical Specification) :

引用標準 Reference Standard	GB/T3667.1; UL810;	
氣候類別 Climatic Category	40/70/21	
運行等級 Class of operation	C 级 (3000 小時) Class C(3000h)	
安全防護等級 Class of safety protection	P0	
額定電額 Rated Voltage	250Vac.;300Vac.;400Vac.;450Vac.;500Vac. 50/60Hz	
電容量範圍 Capacitance Range	2.4 μ F~50 μ F	
電容量偏差 Capacitance Tolerance	J:±5%; K:±10%	
耐電壓 Voltage test	引線之間 Between Terminals	UL :1.5 U _N 10S; CQC:2.0 U _N 2S
	極殼之間 Between Terminals And Case	2000 Va.c. 2S
絕緣電阻 Insulation Resistance	引線之間 Between Terminals	≥3000 M Ω · μ F (100Vd.c.,60s)
	極殼之間 Between Terminals And Case	≥1000 M Ω (100Vd.c.,60s)
損耗角正切 Dissipation Factor	tan δ ≤ 0.005 (100Hz)	

Victor (HK) Development Co. 匯達(香港)發展公司
 Rm.1702 King Centre, 23 Dundas Street, Mongkok, Hong Kong
 香港 旺角 登打士街 23 號 嘉興商業中心 1702 室
 Tel: 852 2626-9193 Fax:852 2626-9229
 Email: sales@hk-victor.com Website: www.hk-victor.com